


A BRIGHTER VIEW OF TOMORROW

# Futura

Collection 2016



IF IT'S UP TO SOLERO, THERE'S A BRIGHT FUTURE AHEAD. THE NEW FUTURA LINE OFFERS GREAT ITALIAN DESIGNER PARASOLS COMBINED WITH A DUTCH ATMOSPHERE. THE PARASOLS ARE AVAILABLE IN SEVERAL TRENDY SHADES AND STAND UP TALL IN A SUMMER RAIN FOR WHICH WE'VE TREATED THEM WITH A SPECIAL WATER-REPELLENT COATING. THE FUTURA PARASOLS ARE ALSO EQUIPPED WITH A WIND STABILIZER.

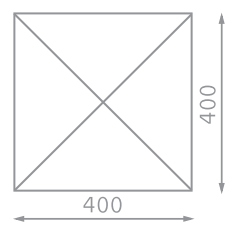
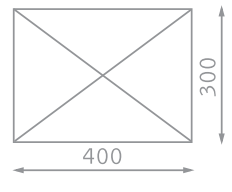
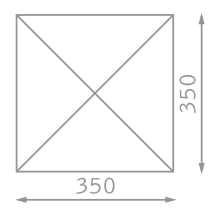
Solero®

WWW.PARASOLS.NL

# Futura Bloemendaal

350x350 cm  
300x400 cm  
400x400 cm

BLOEMENDAAL IS AVAILABLE IN THREE SPACIOUS SIZES: 350 X 350 CM, 300 X 400 CM AND 400 X 400 CM. THESE LARGE SURFACES GUARANTEE PLENTY OF SHADOW ON YOUR TERRACE. THE CLOTH CAN BE TILTED UP TO 45°, MAKING SURE A LOW HANGING SUN DOESN'T BOTHER YOUR GUESTS ANYMORE. THE POLE CAN EVEN BE TURNED A FULL 360 DEGREES, JUST TURN THE SUN AWAY.





## LUXURIOUS YET COMPACT

The Solero Bloemendaal introduces a new system that allows for opening and collapsing of the parasol, without having to move your furniture. The parasol closes towards the pole. Thus the collapsed version allows for a compact package.



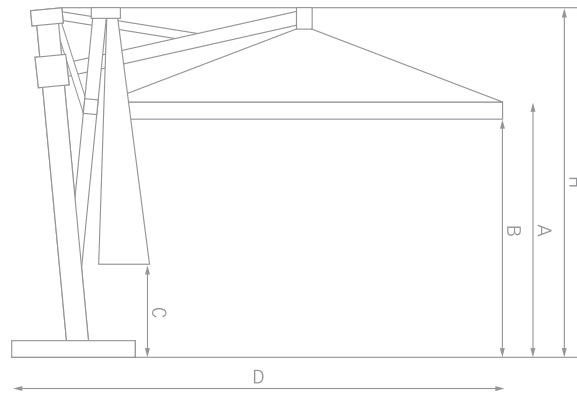
### Colors



- Price range A: • natural, white with or without valance
- Price range B: • terra cotta, burgundy with valance
- Price range C: • black without valance

### Sizes

	350x350	300x400
Distance	in cm	in cm
A	240	240
B	215	215
C	50	50
D	440	420
H	310	310



### Prices

Size in cm	Price range cloth colors	Price in € excl. VAT	Price in € incl. 21% VAT
350 x 350	A	1890,00	2286,90
	B	2010,00	2432,10
	C	2120,00	2565,20
300 x 400	A	1790,00	2165,90
	B	1910,00	2311,10
	C	2000,00	2420,00
400 x 400	A	2690,00	3254,90
	B	2840,00	3436,40
	C	2940,00	3557,40
<b>Options</b>			
slab base or ground anchor (concrete slabs not included)		120,00	145,20
protection cover		120,00	145,20

### Specifications

Protection cover	Ordered separately
Cantilever parasol	✓
Central pole	✗
Telescopic system	✗
Light included	✗
Fade-resistant cloth	✓
Frame in 2 parts	✗
Tiltable	✓
With rotating device	✓
Side inclination	✗
Valance	<input type="checkbox"/> <input checked="" type="checkbox"/> <input checked="" type="checkbox"/>
Operating system	Winch
Adjustable rib ends	✗
Number of ribs	8
Closes over the table	✓*
Pole diameter	82x82mm
Possibility of printing	<input checked="" type="checkbox"/> (on 3 sides)

\* If there is sufficient space to rotate the parasol

### Accessories

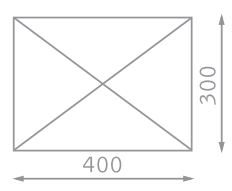
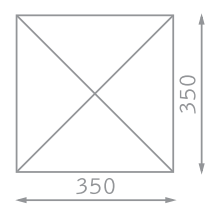


# Futura

## Noordwijk

350x350 cm

300x400 cm



THE ASHWOOD POLE AND RIBS, COMBINED WITH THE WHITE EPOXY PARTS, OFFER AN EXTRA LUXURIOUS LOOK TO THE NOORDWIJK. A CONTRAST BETWEEN THE MATERIALS IS THE DESIGNERS PRINCIPLE FOR THIS PARASOL.





### LOTS OF SPACE

Solero Noordwijk comes in two standard sizes. 350\*350cm and 300\*400cm. The pole also allows for a 360° turn, which increases the spacious surface even more.

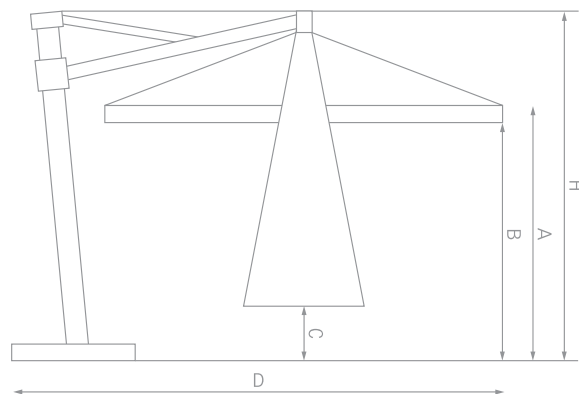
### Colours



- Price range A: • natural, white with or without valance
- Price range B: • terra cotta, burgundy with valance
- Price range C: • black without valance

### Sizes

	350x350	300x400
Distance	in cm	in cm
A	250	260
B	220	230
C	40	40
D	390	440
H	310	340



### Prices

Size in cm	Price range cloth colors	Price in € excl. VAT	Price in € incl. 21% VAT
350 x 350	A	1720,00	2081,20
	B	1840,00	2226,40
	C	2010,00	2432,10
300 x 400	A	1670,00	2020,70
	B	1790,00	2165,90
	C	1880,00	2274,80
<b>Options</b>			
slab base or ground anchor (concrete slabs not included)		120,00	145,20
protection cover		95,00	114,95

### Specifications

Protection cover	Ordered separately
Cantilever parasol	✓
Central pole	✗
Telescopic system	✗
Light included	✗
Fade-resistant cloth	✓
Frame in 2 parts	✗
Tiltable	✓ minimal
With rotating device	✓
Side inclination	✗
Valance	
Operating system	Winch
Adjustable rib ends	✗
Number of ribs	8
Closes over the table	✓*
Pole diameter	92x92mm
Possibility of printing	✓ (on 3 sides)

\* If there is sufficient space to rotate the parasol

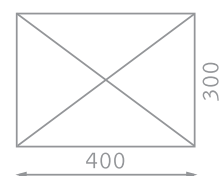
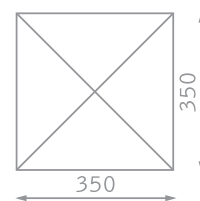
### Accessories



# Futura

## Zandvoort

350x350 cm  
300x400 cm



THIS EDITION OFFERS EVERYTHING THE TRENDWATCHING SUNLOVER IS LOOKING FOR. SOLERO ZANDVOORT COMES WITH AN ALUMINUM POLE IN 'TOBACCO WOOD-LOOK' AND RIBS IN A 'STAINLESS STEEL LOOK' THE CONTRAST BETWEEN THESE MATERIALS PROVIDES THIS DESIGNER PARASOL A UNIQUE AND LUXURIOUS LOOK.

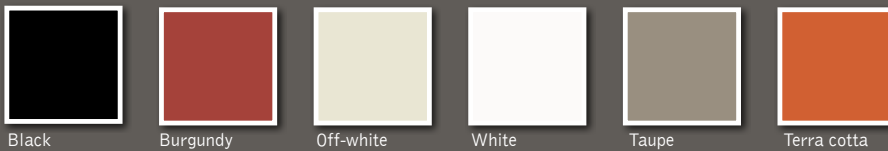




### A LUXURIOUS ALUMINUM LOOK AND FEEL

The revolutionary 3D wood print is virtually indistinguishable from real wood. Zandvoort is available in two royal editions of 350\*350cm and 300\*400cm. The pole of this model allows for an easy turn towards the sun.

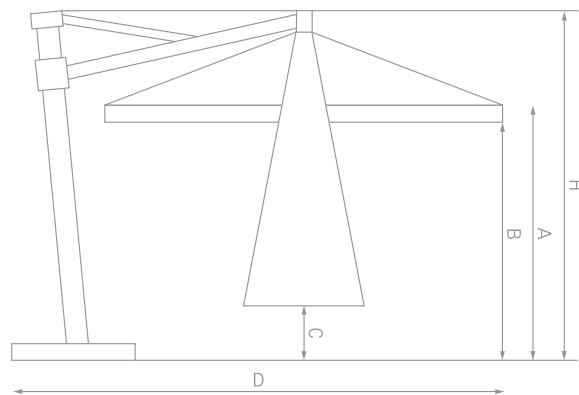
### Colors



- Price range A: • natural, white with or without valance
- Price range B: • terra cotta, burgundy with valance
- Price range C: • black without valance

### Sizes

	350x350	300x400
Distance	in cm	in cm
A	250	250
B	220	220
C	40	40
D	390	390
H	310	310



### Prices

Size in cm	Price range cloth colors	Price in € excl. VAT	Price in € incl. 21% VAT
350 x 350	A	1720,00	2081,20
	B	1840,00	2226,40
	C	2010,00	2432,10
300 x 400	A	1670,00	2020,70
	B	1790,00	2165,90
	C	1880,00	2274,80
400 x 400	A	1770,00	2141,70
	Katwijk model B	1920,00	2323,20
<b>Options</b>			
slab base or ground anchor (concrete slabs not included)		120,00	145,20
protection cover		95,00	114,95
protection cover 400x400		120,00	145,20

### Specifications

Protection cover	Ordered separately
Cantilever parasol	✓
Central pole	✗
Telescopic system	✗
Light included	✗
Fade-resistant cloth	✓
Frame in 2 parts	✗
Tiltable	✓ minimal
With rotating device	✓
Side inclination	✗
Valance	<input type="checkbox"/> <input checked="" type="checkbox"/> <input checked="" type="checkbox"/>
Operating system	Winch
Adjustable rib ends	✗
Number of ribs	8
Closes over the table	✗
Pole diameter	92x92mm
Possibility of printing	<input checked="" type="checkbox"/> (on 3 sides)

### Accessories

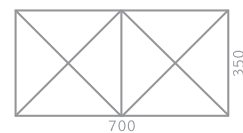


# Futura

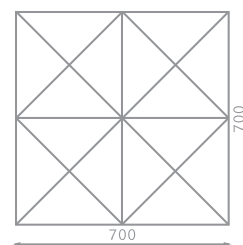
## Egmond Duo & Quattro

350x700 cm

700x700 cm



A HIGHLY DURABLE ALUMINUM POLE WITH 2 (DUO) OR 4 (QUATTRO) PARASOLS. AS THEY ARE ALL CONNECTED TO ONE POLE, A CONSIDERABLE AMOUNT OF SPACE IS SAVED. AS A RESULT, THE EGMOND IS VERY SUITABLE FOR LARGE SURFACES AND TERRACES.







### OFFERING A GIANT SHADOW

The Egmond Duo has a surface of 25m<sup>2</sup>. The Quattro edition even offers an astonishing 50m<sup>2</sup> cover. The parasols can be controlled individually. The aluminum pole and ribs both have a great and trendy hard coal finishing.

### Colors



Black



Burgundy



Off-white



White



Taupe



Terra cotta

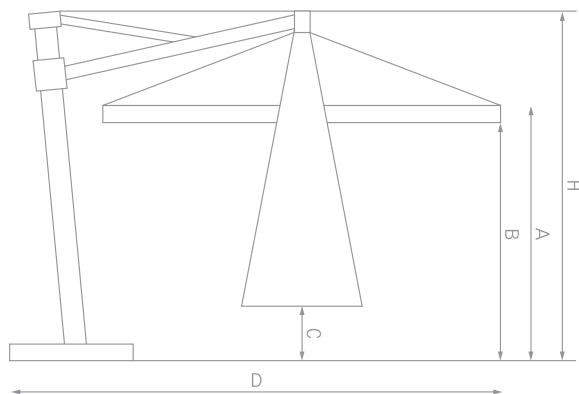
Price range A: • natural, white with or without valance

Price range B: • terra cotta, burgundy with valance

Price range C: • black without valance

### Sizes

	350x700	700x700
Distance	in cm	in cm
A	265	265
B	235	235
C	55	55
D	430	700
H	325	325



### Prices

Size in cm	Price range cloth colors	Price in € excl. VAT	Price in € incl. 21% VAT
350 x 700	A	3460,00	4186,60
	B	3700,00	4477,00
	C	4040,00	4888,40
700 x 700	A	5550,00	6715,50
	B	6030,00	7296,30
	C	6710,00	8119,10
<b>Options</b>			
slab base or ground anchor (concrete slabs not included)		120,00	145,20
rain gutter Egmond Duo or Quattro, price per piece		120,00	145,20
protection cover Duo or Quattro, price per piece		95,00	114,95

### Specifications

Protection cover	Ordered separately
Cantilever parasol	✓
Central pole	✗
Telescopic system	✗
Light included	✗
Fade-resistant cloth	✓
Frame in 2 parts	✗
Tilttable	✗
With rotating device	✗
Side inclination	✗
Valance	
Operating system	Winch
Adjustable rib ends	✗
Number of ribs	Duo: 16 Quattro: 32
Closes over the table	✗
Pole diameter	120x120mm
Possibility of printing	✓

### Accessories



Ground anchor



Slab base



Protection cover

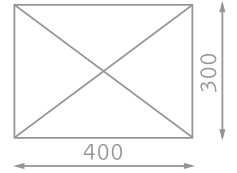
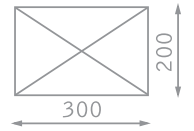


Rain gutter

# Futura Den Haag

200x300 cm

300x400 cm



OUR MOST POPULAR EDITION FOR SMALLER TERRACES. BY COMBINING A CLASSIC YET FASHIONABLE DESIGN, THE SOLERO DEN HAAG STANDS OUT IN EVERY ENVIRONMENT.

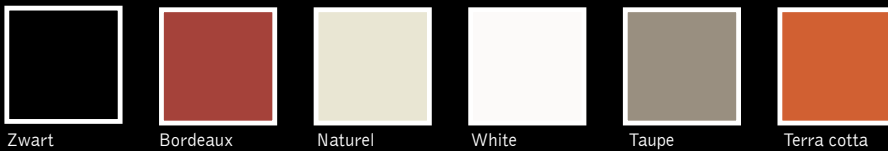




### ELEGANT SIMPLICITY

This parasol normally comes in two rectangular editions of 200\*300cm and 300\*400cm. The frame is made out of Iroko wood and is opened and closed by two pulleys. The cloth is fade-resistant and treated with a water-repellent coating.

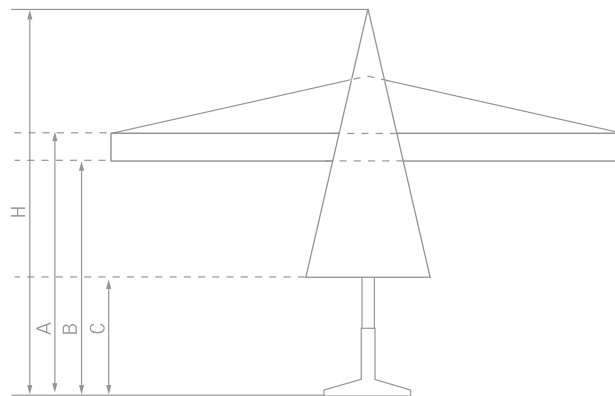
### Colors



- Price range A: • natural, white with or without valance
- Price range B: • terra cotta, burgundy with valance
- Price range C: • black without valance

### Sizes

	200x300	300x400
Distance	in cm	in cm
A	230	240
B	210	215
C	95	40
H	280	300



### Prices

Size in cm	Price range cloth colors	Price in € excl. VAT	Price in € incl. 21% VAT
200 x 300	A	350,00	423,50
300 x 400	A	470,00	568,70
	B	530,00	641,30
	C	740,00	895,40
<b>Options</b>			
	protection cover 2 x 3€	65,00	78,65
	protection cover 3 x 4€	65,00	78,65
	ground anchor Patio (2 x 3)	61,57	74,50
	ground anchor Presto (3 x 4)	111,57	135,00
	refillable base Patio €	66,07	79,94

### Specifications

Protection cover	Ordered separately
Cantilever parasol	✗
Central pole	✓
Telescopic system	✗
Light included	✗
Fade-resistant cloth	✓
Frame in 2 parts	✗
Tilttable	✗
With rotating device	✗
Side inclination	✗
Valance	
Operating system	Cord with pulleys
Adjustable rib ends	✗
Number of ribs	6
Closes over the table	2x3m: ✓ 3x4m: ✗
Pole diameter	2x3m: 48mm 3x4m: 58mm
Possibility of printing	✓

### Accessories





Solerö®